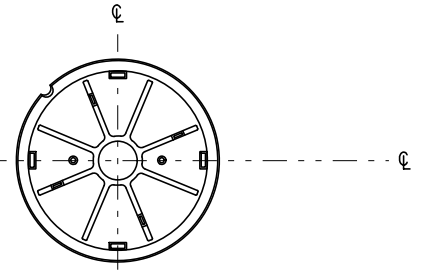
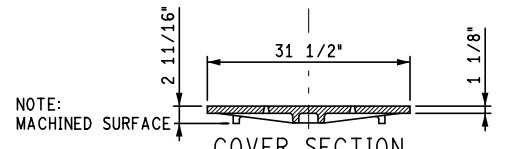


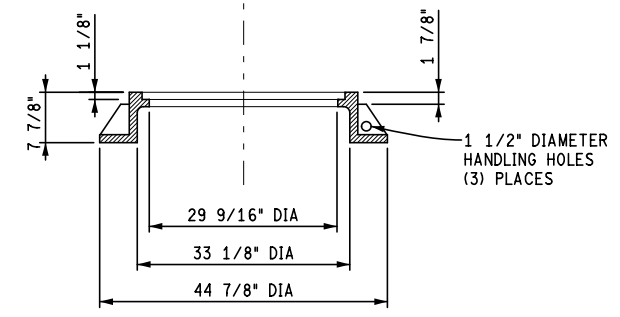
TOP VIEW OF COVER
NOT TO SCALE



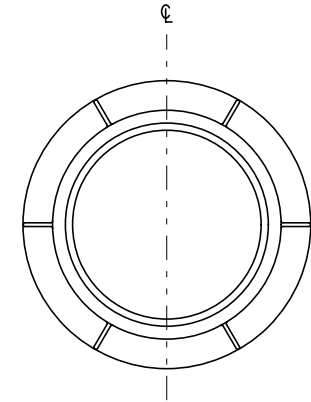
BOTTOM VIEW OF COVER
NOT TO SCALE



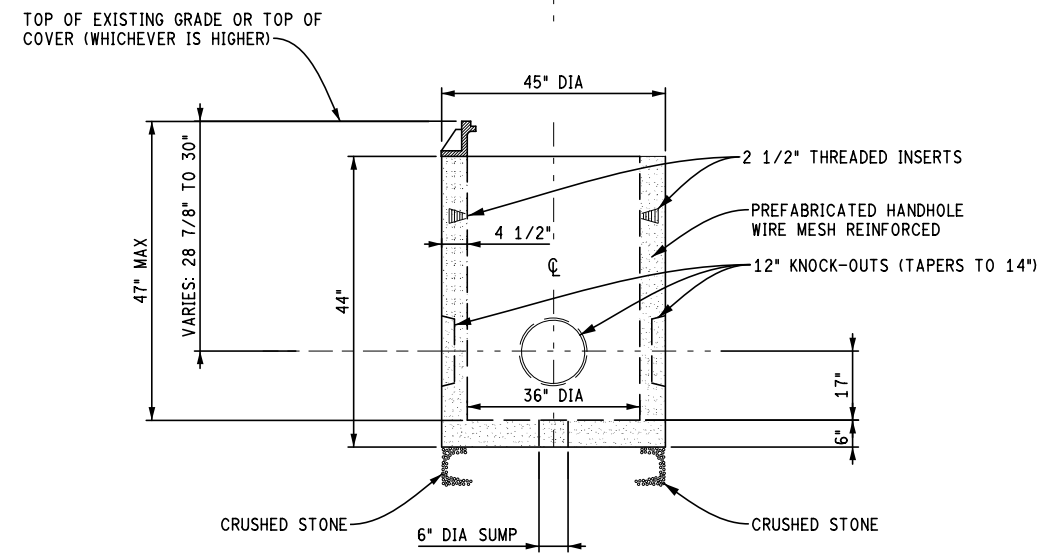
COVER SECTION
NOT TO SCALE



FRAME SECTION
NOT TO SCALE



TOP VIEW OF FRAME
NOT TO SCALE



36" DIAMETER ROUND HANDHOLE SECTION
NOT TO SCALE

- NOTES:
1. PROVIDE HANDHOLE AND COVER MEETING THE REQUIREMENTS OF AASHTO HS 20 FOR WHEEL LOADING.
 2. CURRENT COVER AND FRAME FOR 36" ROUND HANDHOLES ARE EAST JORDAN IRON WORKS PART NO. 1220 OR APPROVED EQUAL, A.S.T.M. CLASS 30 GRAY IRON, HEAVY DUTY, APPROX. WT. 685#.

FINAL ROW PLAN REVISIONS (SUBMITTAL DATE:)									NO SCALE	DATE: 7/11/2023	CS:	HANDHOLE, ROUND, 3 FOOT DIA.	DRAWING SHEET
NO.	DATE	AUTH	DESCRIPTION	NO.	DATE	AUTH	DESCRIPTION			DESIGN UNIT:	JN:		
										FILE: HH, Round, 3ft diam - 7-11-2013 ITS070B	TSC:		